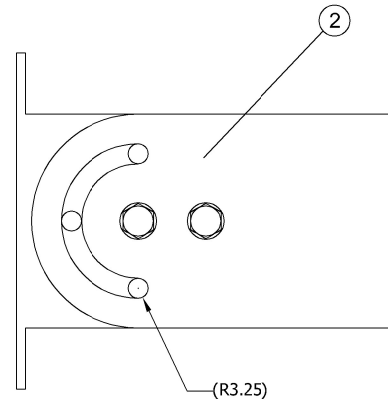
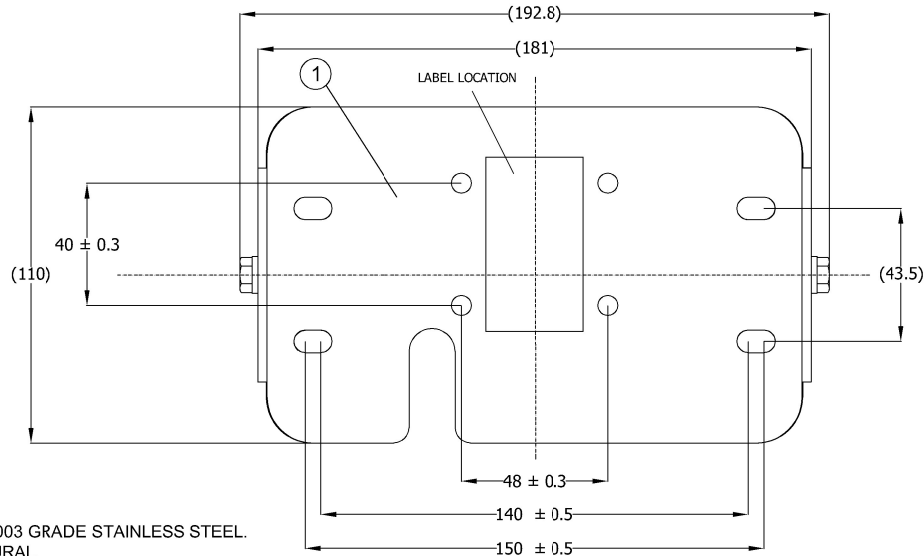
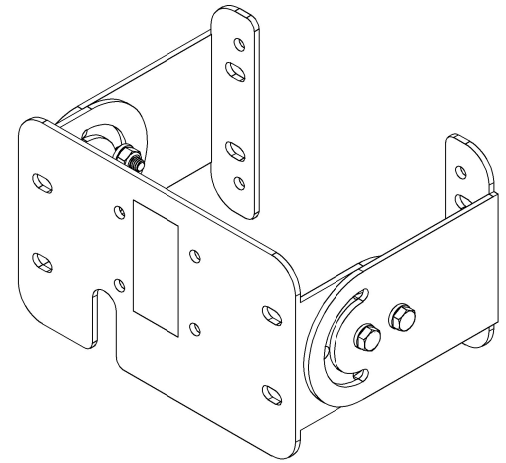
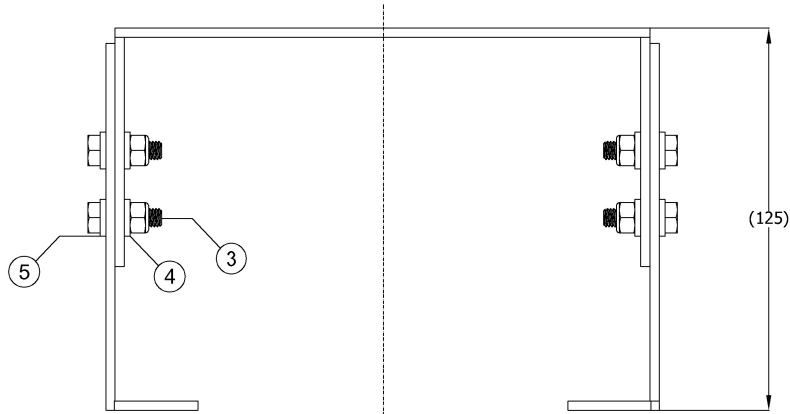


ITEM	PART NO	QTY	MODEL / DESCRIPTION
①	(7191)	1	BKT-023(FP) FRONT PLATE FOR BKT-023
②	(7192)	2	BKT-023(NL) NORMAL LEG FOR BKT-023
③	N/A	4	M6X20MM STAINLESS STEEL HEX HEAD BOLT
④	N/A	4	M6 STAINLESS STEEL NYLOC NUT
⑤	N/A	8	M6 STAINLESS STEEL PLAIN WASHER

Revision Notes.				
APA:	Drawn:	Checked:	Approved:	Date:



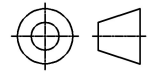
NOTES:

1. MATERIAL: 4003 GRADE STAINLESS STEEL.
2. FINISH: NATURAL.
3. DURING ASSEMBLY, ENSURE FIXINGS (ITEMS 3 & 4) ARE TIGHTENED TO A TORQUE OF 0.1NM WITHOUT GOING THROUGH THE NYLOC ON THE NUT. THIS MEASURE IS USED TO PREVENT DISASSEMBLY OF THE BRACKET DURING TRANSIT.
4. REFER TO COMPONENT DRAWINGS FOR COMPONENT DETAIL.
5. BRACKET MANUFACTURED TO MEDIUM TOLERANCE SPECIFICATION AS PER DIN ISO 2768-1.
6. FOR DIMENSIONS NOT SHOWN ON THIS DRAWING, PLEASE REFER TO ASSOCIATED 3D MODEL: BKT-023 (7190).STP
7. FOR LABELING DETAIL REFER TO MASTER BOM.

PROPRIETARY NOTICE

THIS DESIGN AND TECHNICAL INFORMATION APPEARING ON THIS DRAWING IS THE PROPERTY OF BRIGADE ELECTRONICS, AND IS DISCLOSED IN CONFIDENCE. IT IS NOT TO BE COPIED, REPRODUCED, REVEALED TO OR EXPROPRIATED BY OTHERS, EITHER IN WHOLE OR IN PART WITHOUT THE EXPRESS WRITTEN CONSENT OF BRIGADE ELECTRONICS.

BRIGADE[®]
www.brigade-electronics.com

Assembly Pl Approval S. CROXALL	Approved by A. KEBEDE	Checked by S. LAWAL	Drawn by S.GOVENDER
Angle of Projection 	Units mm	Scale N/A	Released 31/10/22
Status RELEASED		Assembly Ref BKT-023	
Part No 7190		BE-004630-00-21	